

Roto Gravure Printing Machine

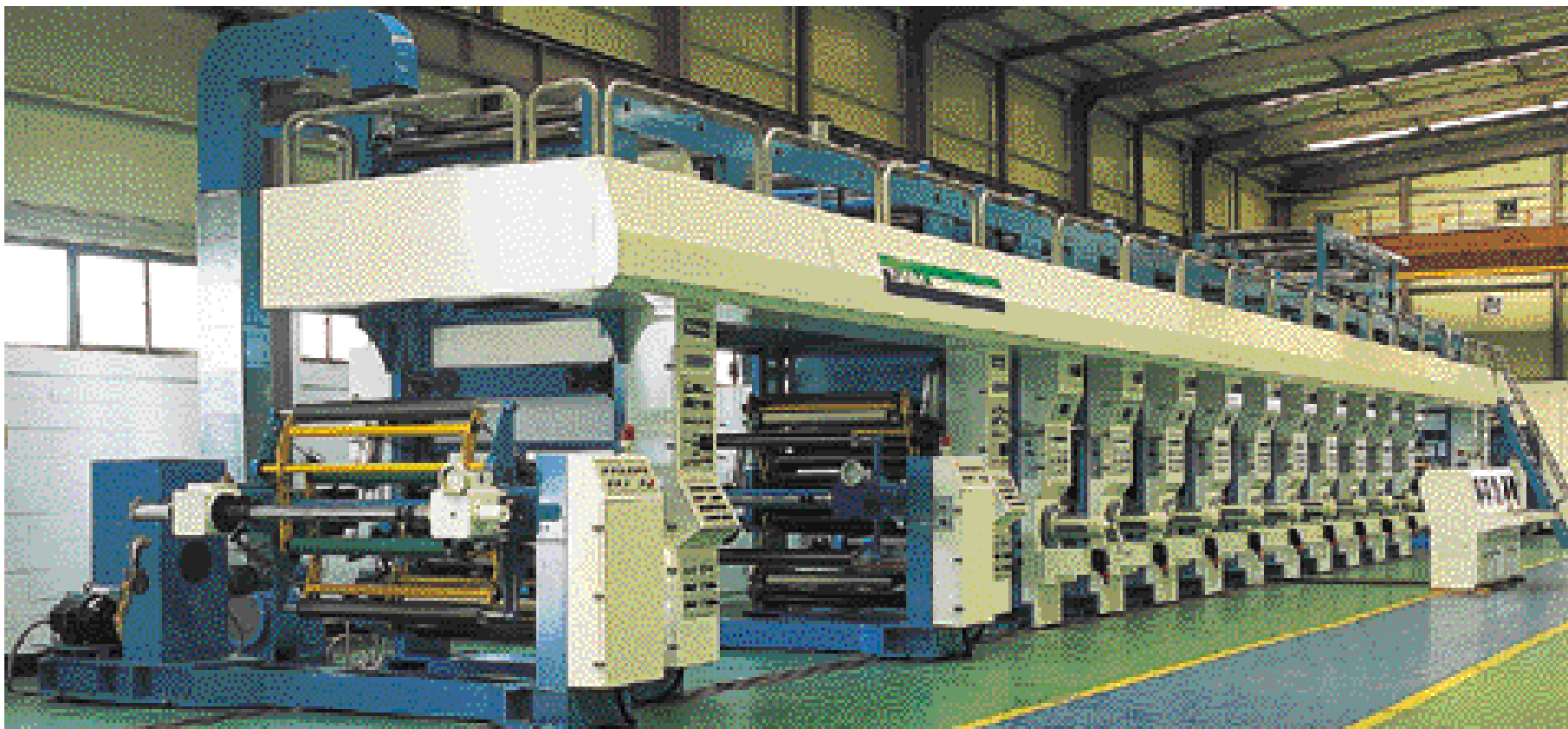
Laminating Machine

Coating Machine

Slitting Machine

Rewinding Machine

S.A. **RGX 1300**



SAM prints what you are imaging

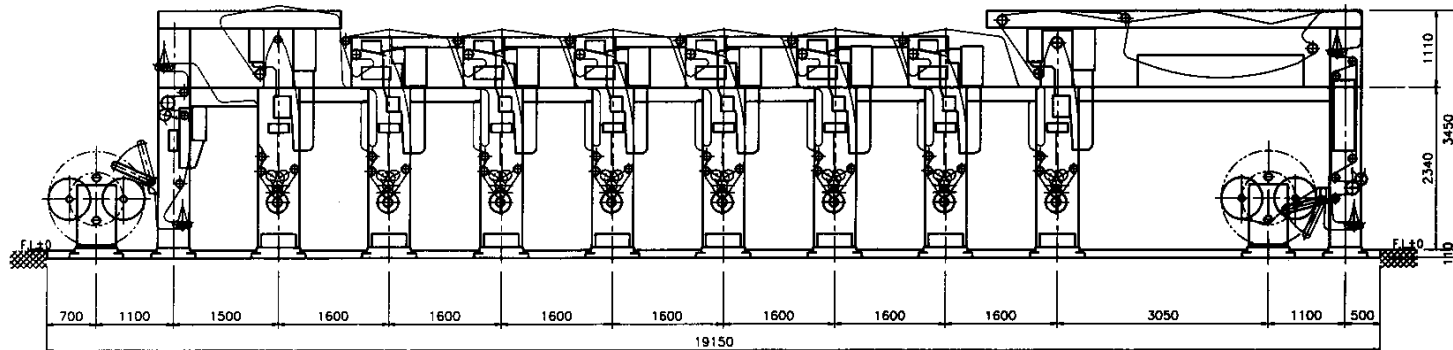
S.A-RGX 1300

646-4



SPECIFICATIONS

DESCRIPTION		STANDARD	NONSTANDARD
Kind of Web		OPP.CPP, PET, PE, NYLON, CELLOPHANE and The Other Flexible Films, Paper(30~80gr/m ²), Al-foil, Etc.	
Nos of Color		1~10 Colors	Separate or Double Face
Guide Roll Width		1300mm	700~1300mm
Operating Speed		20~200m/min	Max 250m/min
Machine Control System Fully Automatic Control System			
Unwinder	Type	2 Shafts Turret Type	
	Reel Dia	800mm	1000mm
	Shaft	Shaftless Pneumatic Type	Taper Cone with Screw Type
	Tension Control	Fully Automatic Control System with(A.C Vector Motor)	
Infeeding Unit Synchronized Control Type with A.C Vector Motor			
Printing Unit	Cylinder Size	D(130~300mm), L(900~1250mm)	D(130~300mm). L(650~1250mm)
	Chucking Type	Pneumatic Shaftless Locked Type	Shaft Type
	Impression Type	Three Rolls Turret Type	One Roll Sliding Type
	Drying	Heat Exchanging Type with Steam Convector	Electric / Hot Oil Heater / Gas
	Register	All Automatic with Color Controller and Compensating Roll Pre-setting Device	
Outfeeding Unit Synchronized Control Type with A.C Vector Motor			
Rewinder	Type	2 Shafts Turret Type	
	Reel Dia	800mm	1000mm
	Shaft	Shaftless Pneumatic Type	Taper Cone with Screw Type
	Tension Control	A.C Vector motor Control System	



UNWINDING UNIT INFEEING UNIT

REWINDING UNIT OUTFEEDING UN